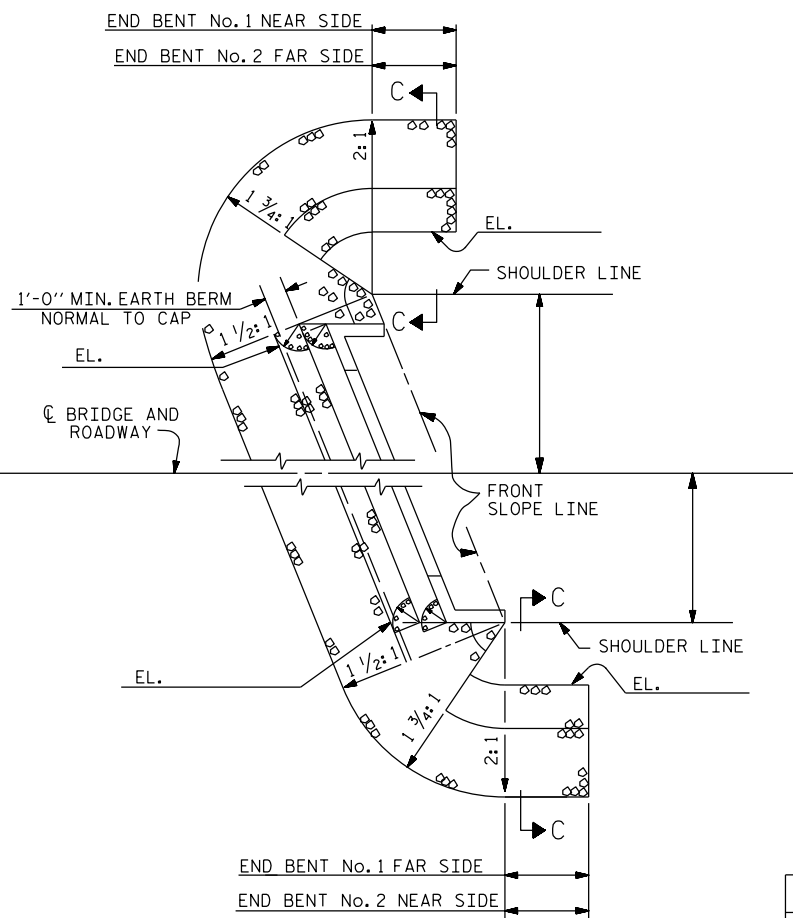


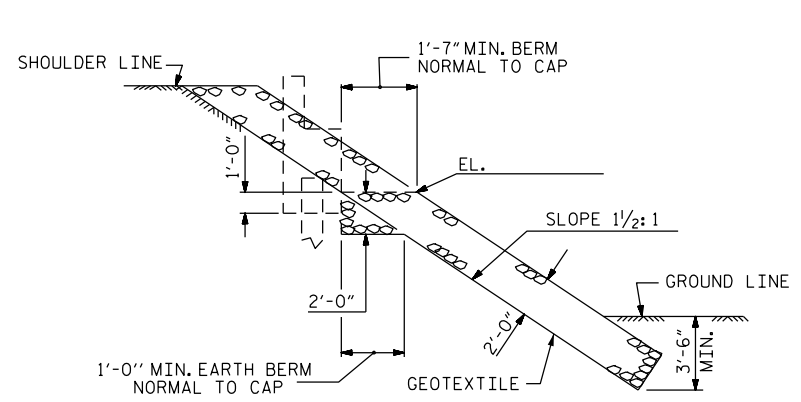
SHOULDER RIP RAP IS HIGHER THAN BERM RIP RAP



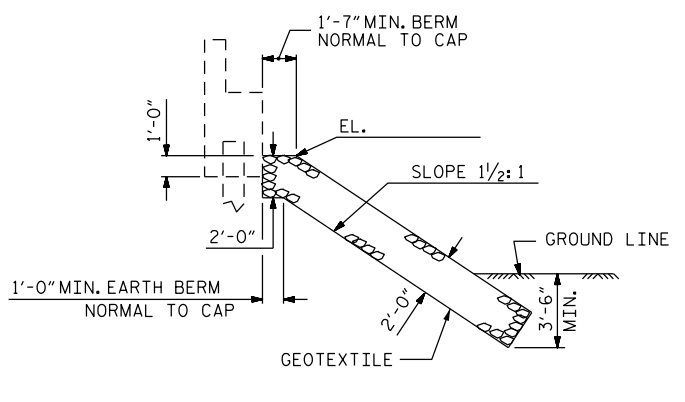
BERM RIP RAPPED

NOTES :
FOR BERM WIDTH DIMENSIONS, SEE GENERAL DRAWING.

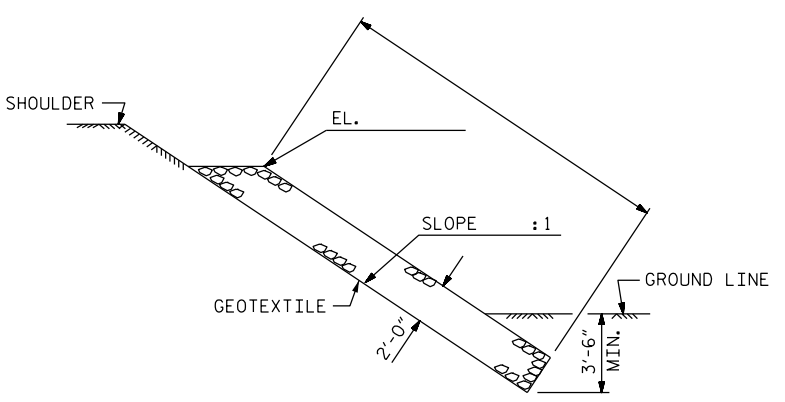
ESTIMATED QUANTITIES		
BRIDGE @ STA.	RIP RAP CLASS II (2'-0" THICK)	GEOTEXTILE FOR DRAINAGE
	TONS	SQUARE YARDS
END BENT 1		
END BENT 2		



SECTION H-H



SECTION C-C
BERM RIP RAPPED



SECTION C-C

PROJECT NO. _____
_____ COUNTY
STATION: _____
SHEET _ OF _

STATE OF NORTH CAROLINA
DEPARTMENT OF TRANSPORTATION
RALEIGH
STANDARD
RIP RAP DETAILS

ASSEMBLED BY :	DATE :
CHECKED BY :	DATE :
DRAWN BY : REK 1/84	REV. 10/1/11 MAA/GM
CHECKED BY : RDU 1/84	REV. 12/21/11 MAA/GM
	REV. 12/17 MAA/THC

REVISIONS						SHEET NO.
NO.	BY:	DATE:	NO.	BY:	DATE:	TOTAL SHEETS
1			3			
2			4			

DOCUMENT NOT CONSIDERED
FINAL UNLESS ALL
SIGNATURES COMPLETED